

PHR-12350 12 Volt 95 AH @ 20-hr. rate
370 W/Cell @ 15-min. rate

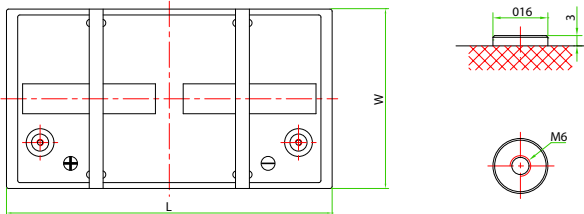
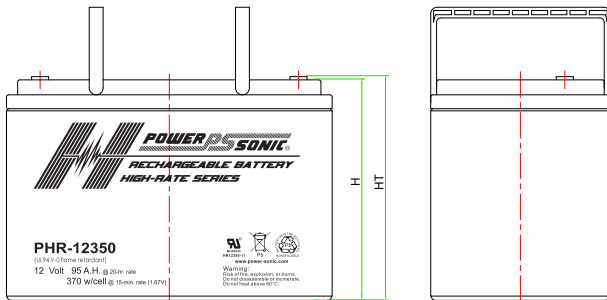
Rechargeable Sealed Lead Acid Battery
PHR HIGH RATE SERIES



We've Got The Power.™



Physical Dimensions: in (mm)



L: 12.00(305) W: 6.61 (168) H: 8.15 (207) HT: 8.27 (210)

Tolerances are +/- 0.04 in. (+/- 1mm) and +/- 0.08 in. (+/- 2mm) for height dimensions.

Features

- Superb high-rate discharge characteristics that ensure reliable performance in UPS applications for up to 10 years. UL recognized
- Flame retardant ABS case and cover to UL 94 V-O for superior performance
- VRLA Absorbent Glass Mat (AGM) Technology guarantees safe operation without maintenance and "non-restricted article" status for transportation. Approved for transport by air. D.O.T., I.A.T.A. and F.A.A. certified.
- Precision plate pasting for higher consistency with 100% load testing to ensure uniform capacity
- Patented dual-paste process for enhanced active material bonding, and computer guided volumetric electrolyte control for precision filling
- Lead-calcium alloy grids and the use of high purity lead account for superior shelf-life characteristics

Performance Specifications

Nominal Voltage	12 volts (6 cells)
Nominal Power (15 min.)	370 W/Cell
Rated Capacity	
20-hr. (4.75A to 10.80 volts)	95.0 AH
10-hr. (9.25A to 10.50 volts)	92.5 AH
8-hr. (11.20A to 10.50 volts)	89.6 AH
Approximate Weight	60.4 lbs. (27.4 kg)
Internal Resistance (approx.)	4.0 milliohms
Max Discharge Current (5 Sec.)	1425 amperes
Charging Voltage @ 77°F (20° C)	
Standby Use	2.275 ± 0.025 V/Cell, (-3.3mV/°C/Cell)
Cycle Use	2.45±0.05 V/Cell, (-5 mV /°C/Cell)
Maximum Charging Current	28.5 A
Case	Flame Retardant ABS Plastic (UL 94 V-O)

Constant Current Discharge (Amperes) at 25°C

Constant Power Discharge (Watts/Cell) at 25°C (Blue)

PHR-12350	5 min	10 min	15 min	20 min	30 min	45 min	1h	2h	3h	4h	5h	6h	8h	10h	20h
1.85V	209.8	171.1	145.5	123.1	95.0	69.9	56.5	33.7	24.4	19.1	15.8	13.6	10.7	8.84	4.63
1.80V	234.8	190.7	158.5	133.1	100.7	73.4	59.2	65.0	25.1	19.8	16.3	14.0	10.9	9.07	4.75
1.75V	262.2	209.2	171.4	142.2	105.8	76.7	61.6	35.8	25.7	20.1	16.7	14.3	11.2	9.25	4.86
1.70V	290.7	226.9	182.4	151.3	111.2	80.1	63.5	36.6	26.2	20.6	17.1	14.6	11.4	9.43	4.94
1.67V	321.5	242.8	195.3	159.6	116.5	82.8	65.3	37.3	26.7	21.0	17.3	14.9	11.6	9.59	5.03
1.60V	348.8	258.8	205.6	166.7	120.4	85.8	67.5	38.3	27.2	21.4	17.7	15.2	11.9	9.76	5.16
1.85V	408.1	334.7	286.3	243.4	188.8	139.6	113.2	67.8	49.2	38.8	32.2	27.7	21.8	18.2	9.58
1.80V	452.1	369.2	308.6	260.6	198.3	145.4	117.7	69.9	50.4	39.8	33.1	28.3	22.3	18.6	9.76
1.75V	499.6	401.3	330.8	276.0	206.7	150.7	121.6	71.1	51.3	40.3	33.5	28.9	22.7	18.8	9.93
1.70V	547.6	430.4	348.0	290.7	214.9	155.8	124.3	72.1	52.0	41.1	34.1	29.2	23.0	19.1	10.0
1.67V	600.7	457.2	370.3	304.6	223.9	160.4	127.2	73.1	52.7	41.6	34.4	29.6	23.3	19.3	10.2
1.60V	644.5	482.0	385.7	315.2	229.1	164.4	130.2	74.5	53.2	42.0	34.9	29.9	23.6	19.4	10.3